

Car Stereo Service Bulletin

CSA-14

Sony Service Company - Technical Services
A Division of Sony Electronics Inc.
Sony Drive, Park Ridge, New Jersey 07656

Model: CDX-A55, CDX-A55RF, CDX-U70, CDX-U300,
CDX-U300RF, CDX-U303, CDX-U303RF, CDX-
U400D, CDX-U404, CDX-U500, CDX-U606

No. 394

Subject: Skipping Due To Vibrations And Shock.

Date: March 27, 1996

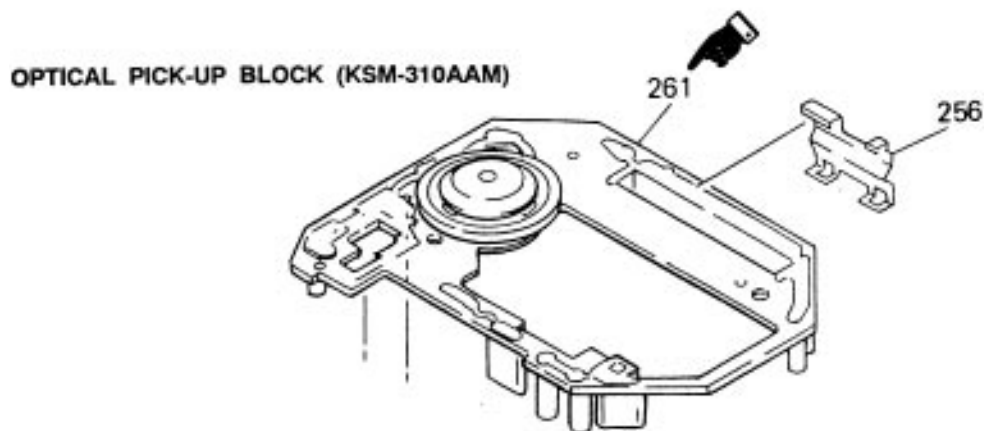
Symptom:
(57)

The unit may be unusually prone to mechanical shock and vibration.

Solution:

If the customer complains of skipping due to mechanical shock or vibrations, replace the OMD chassis assembly with an improved type.

REF	FORMER		NEW	
	DESCRIPTION	PART NUMBER	DESCRIPTION	PART NUMBER
261	OMD CHASSIS ASSY	X-2625-270-1	CHASSIS ASSY (RP), ODM	X-2625-855-1



Filename: CAR0394.SB
Directory: J:\SBDOC\MAR96
Template: C:\WINWORD\TEMPLATE\S_BULL.DOT
Title:
Subject:
Author: Hoyt Wing Lee
Keywords:
Comments:
Creation Date: 03/27/96 3:45 PM
Revision Number: 2
Last Saved On: 03/27/96 3:45 PM
Last Saved By: Hoyt Wing Lee
Total Editing Time: 0 Minutes
Last Printed On: 04/01/96 9:38 AM
As of Last Complete Printing
Number of Pages: 1
Number of Words: 145 (approx.)
Number of Characters: 827 (approx.)